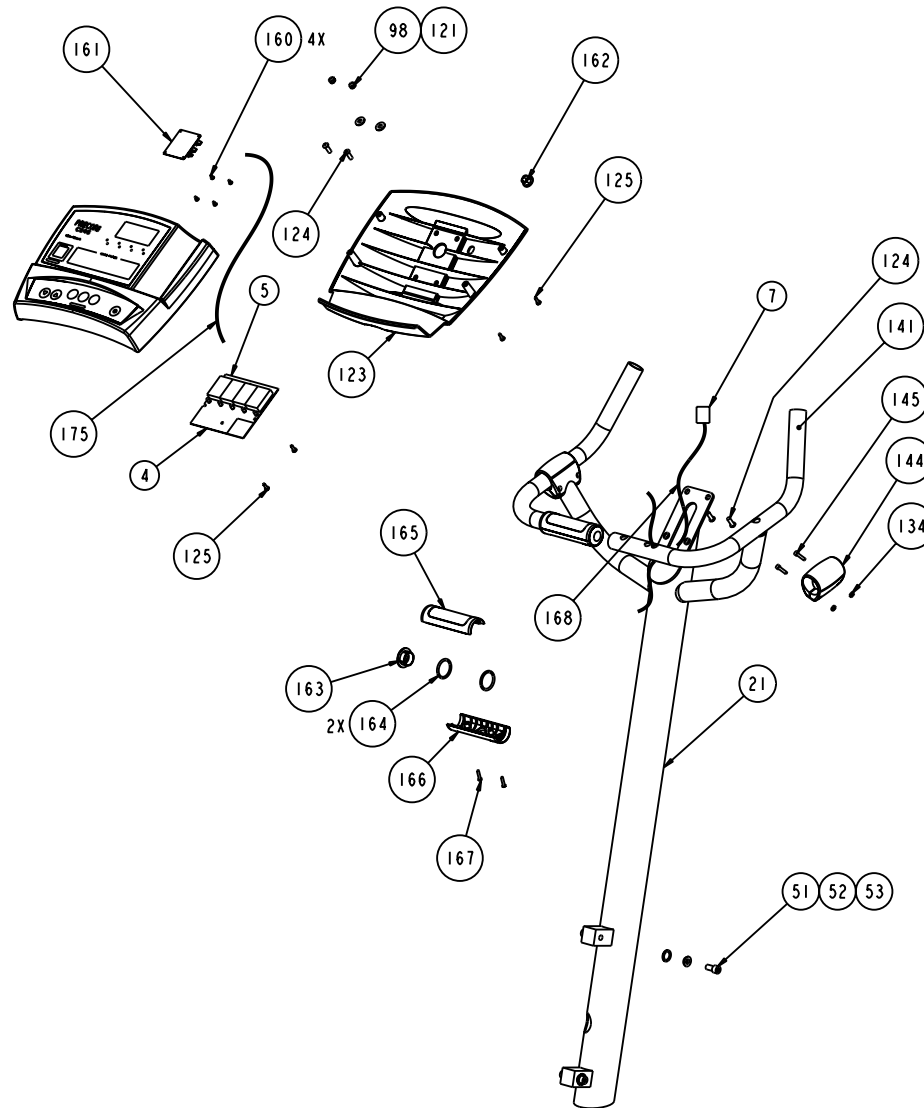


C846 UPRIGHT	P/N 39446-101	REV: R
DRAWN BY: M.HAMILTON	DATE: 01.18.04	SHEET 1 OF 6

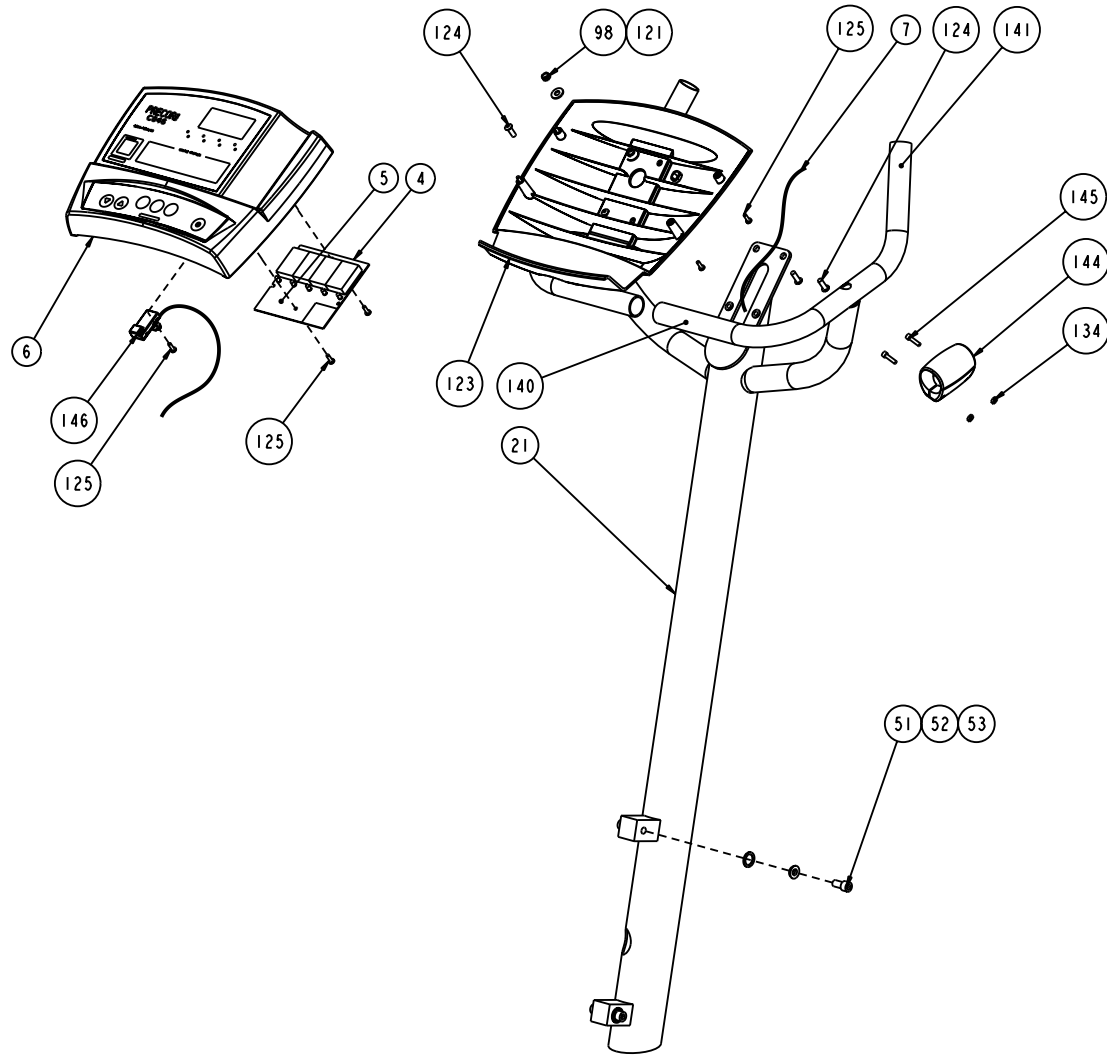
USE THIS PAGE FOR  
UNITS EQUIPPED WITH  
HAND HELD HEART RATE.



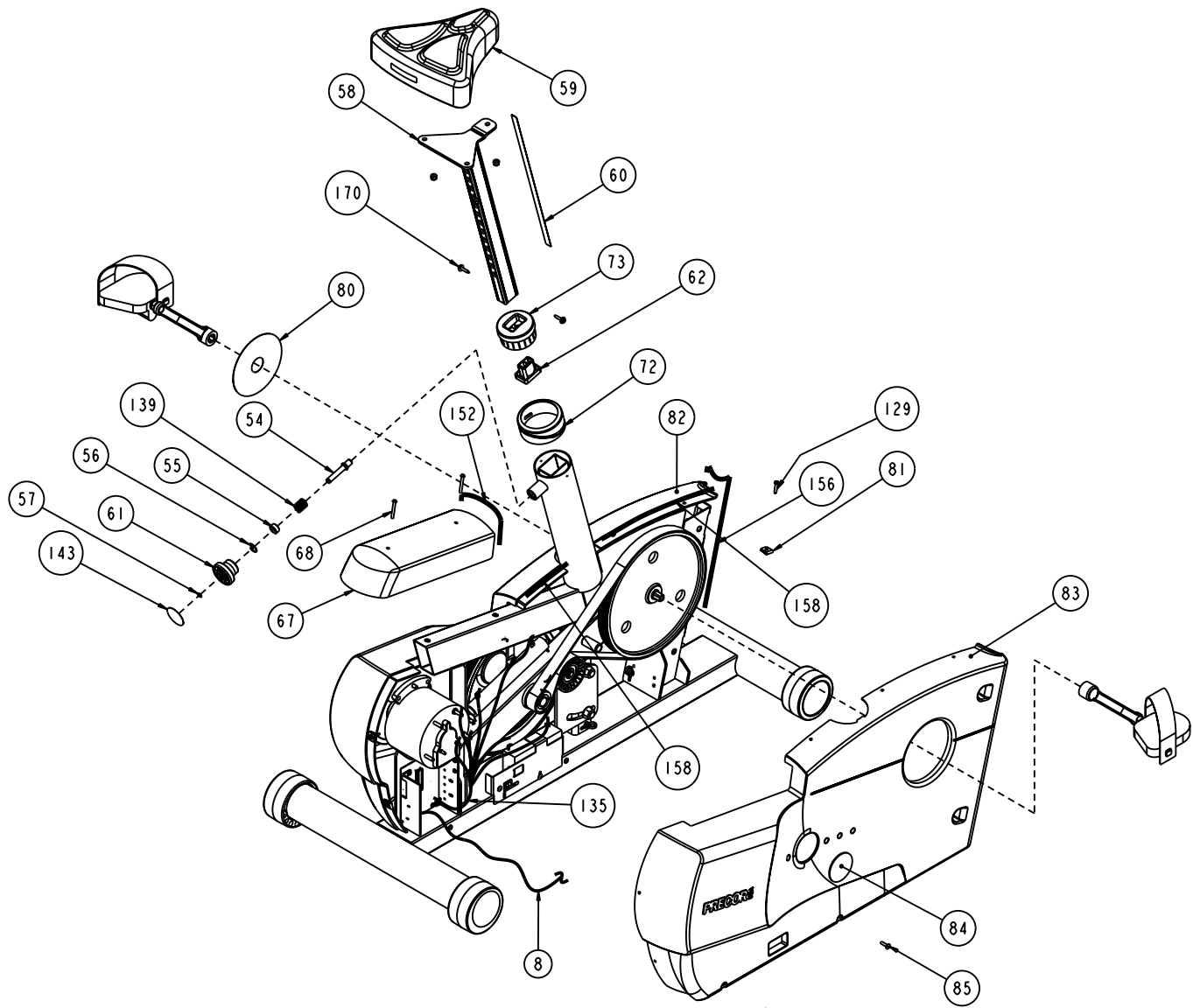
C846 UPRIGHT	P/N 39446-101	REV: R
DRAWN BY: M.HAMILTON	DATE: 01.18.04	SHEET 2 OF 6



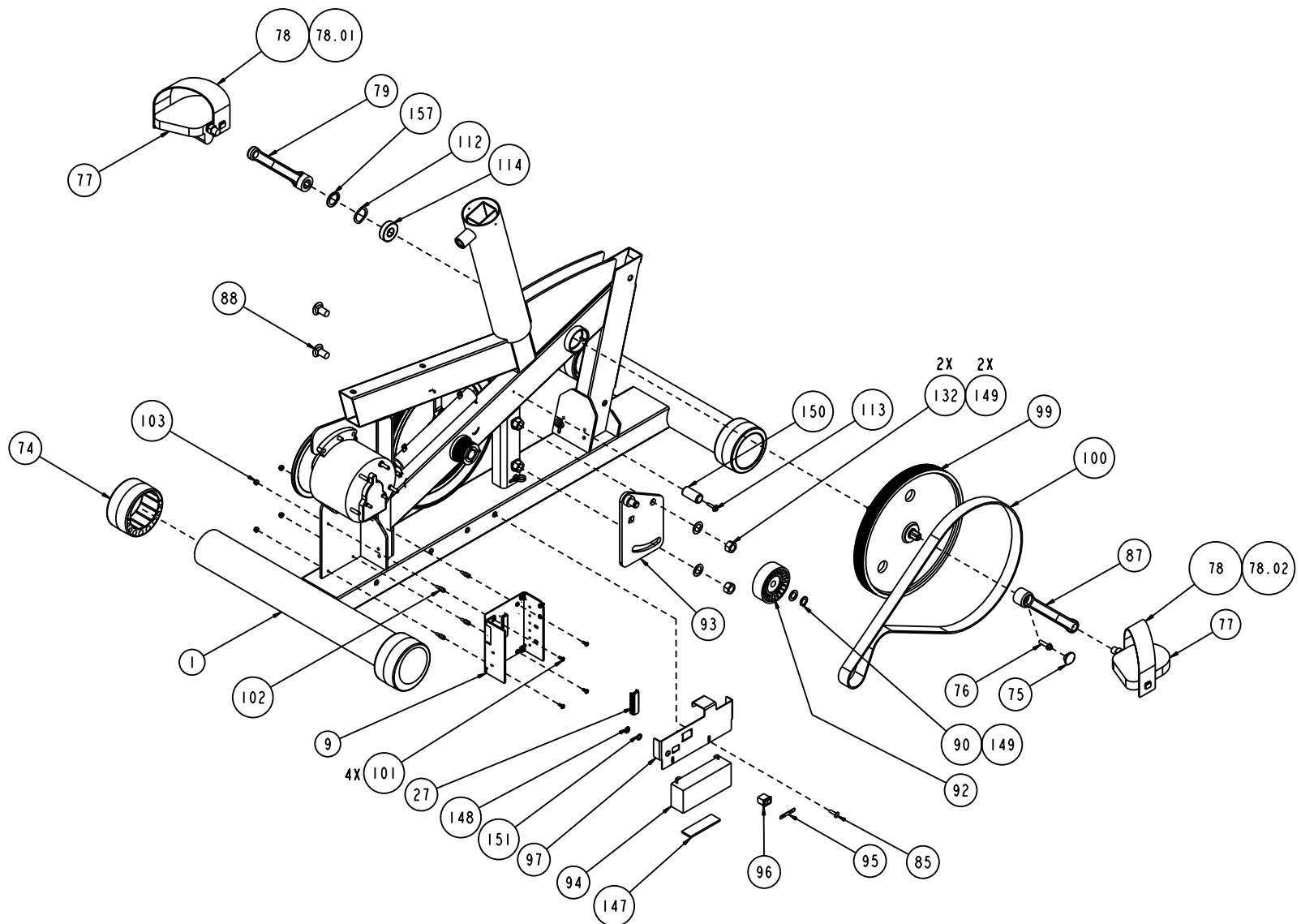
USE THIS PAGE FOR UNITS  
NOT EQUIPPED WITH  
HAND HELD HEART RATE.



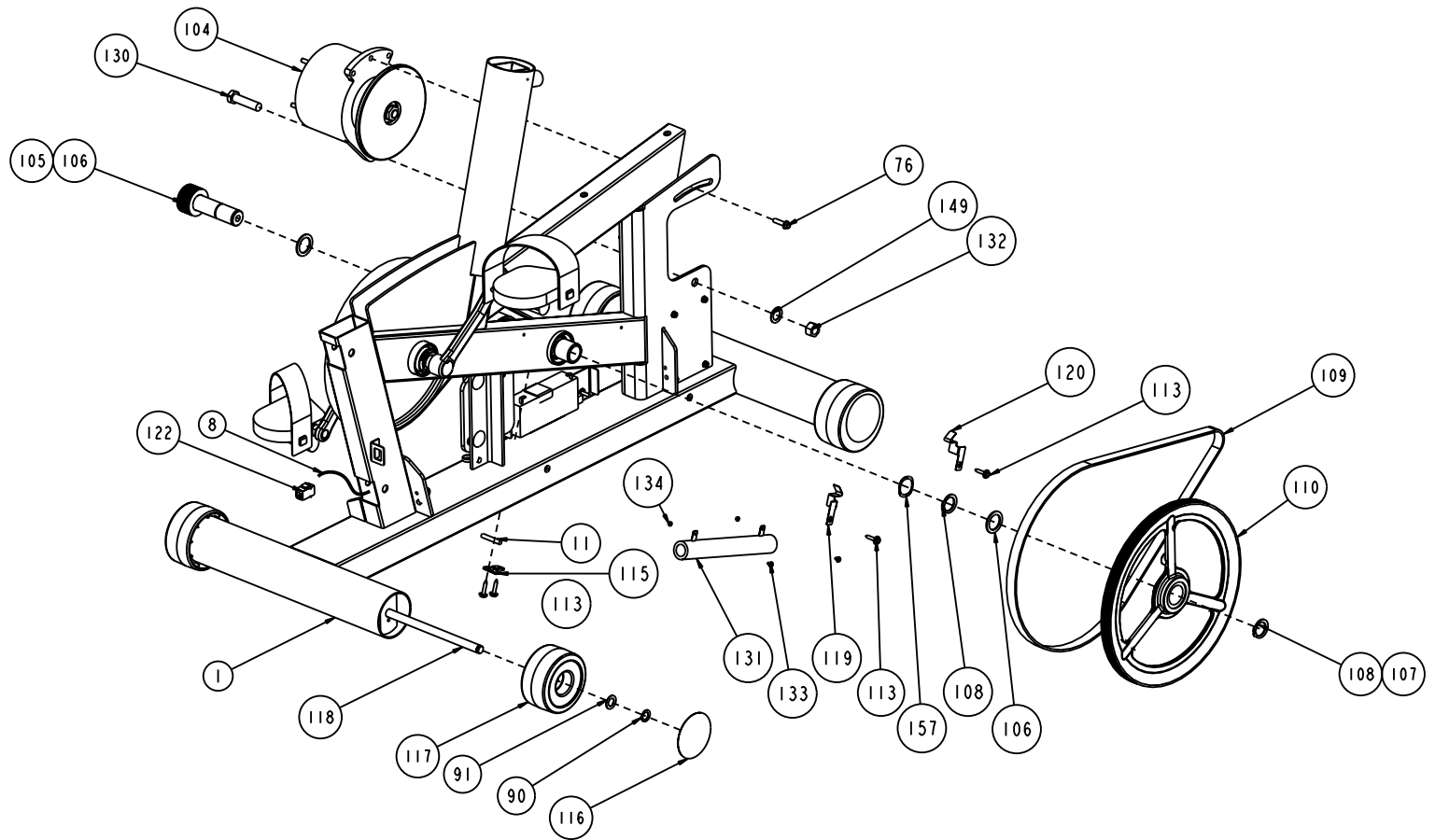
C846 UPRIGHT	P/N 39446-101	REV: R
DRAWN BY: M.HAMILTON	DATE: 01.18.04	SHEET 3 OF 6



C846 UPRIGHT	P/N 39446-101	REV: R
DRAWN BY: M.HAMILTON	DATE: 01.18.04	SHEET 4 OF 6



C846 UPRIGHT	P/N 39446-101	REV: R
DRAWN BY: M.HAMILTON	DATE: 01.18.04	SHEET 5 OF 6



C846 UPRIGHT	P/N 39446-101	REV: R
DRAWN BY: M.HAMILTON	DATE: 01.18.04	SHEET 6 OF 6

### C846 upright (serial code EH, ER)

Part Number	Description	Bubble Number
38943-103	PCA,DISPLAY,D2S	4
39368-101	ASSY, DISPLAY ENCL.,ENG.,846	6
44905-048	ASSY,CBL,MOD,8P8C,1-1,SILVER,48"	7
42843-103	ASSY,PCA&SW,C846,LWR	9
31378-104	ASSY, REED SWITCH	11
CAKN038-075	SCREW,SKHD,3/8-16X0.75,BLK ZN	51
WBDNN061-006	WASHER, NEOPRENE	53
38651-103	SEAT PIN, 846U	54
ACHN075-004	RING,RETAINING,3/4,INT	56
AAHN038-004	RING, RETAINING, 3/8, EXT, .042	57
39477-205	WELDMENT, SEAT POST, ANODIZED	58
38649-101	SEAT,846I/842I UPRIGHT	59
38654-101	KNOB HANDLE,846U	61
38647-101	BEARING,SEAT POST	62
TAKN019-050	SCREW,BTHD,10-24X1 1/2,BLK ZN	68
PKCN019-075	SCREW,S/T,#10X.75,WSHHXHD,ZN	69
38650-102	CAP, SEAT POST, C846U (MACHINED)	73
38597-103	FOOT,ADJUSTABLE	74
39351-101	CAP,CRANK,ARM,846	75
HRNE031-075	SCREW, LCK WSHR HD, HEX, NYLOCK	76
58017-102	PEDAL KIT, RIGHT AND LEFT	77
46824-101	STRAP, PEDAL,846/842	78
38605-101	STRAP,PEDAL,LEFT,846	78.01
38605-102	STRAP,PEDAL,RIGHT,846	78.02
50576-101	846 LEFT CRANK W/LCKBLT 11466-105	79
50576-101	846 LEFT CRANK W/LCKBLT 11466-105	79.01
10136-106	CLIP,STD, TINNERMAN, #10	81
42498-102	ASSEMBLY, COVER W/LABELS,846U,RIGHT	83
TAKN019-075	SCREW,BTHD,10-24X3/4,BLK ZN	85
50576-102	846 RIGHT CRANK W/LCKBLT 11466-105	87
50576-102	846 RIGHT CRANK W/LCKBLT 11466-105	87.01
BACN050-100	BOLT,CARRIAGE,1/2-13X1	88
KMCN050-045	NUT,HEX,1/2-13,ZINC	89
AAHN050-003	RING,RETAINER,1/2 X.042,EXT	90
WPNN052-003	WASHER,FLT,1/2X.875,.031,SS	91
10770-102	BATTERY, 6V, 3AH, RECHARGEABLE	94
11469-101	SWITCH,ROCKER,MINI,SPST,PANEL	96
10217-117	BELT, POLY-V, 50"	100
DECN016-044	SCREW, SEMS, #8-32X.438,PHIL	101
KGCN016-013	LOCKNUT, STARWASHER 8-32, HEX	103
40747-801	BALANCED PAIR, ALTERNATOR, FLYWHEEL	104
58014-103	C846 SECONDARY AXLE REPLACEMENT KIT	105
WYCN099-008	WASHER,FLT,1X1.40X.075,ZN	106
10217-108	BELT,DRIVE,POLY-V,49.5L,6 RIBS	109
58018-101	C846 SECONDARY SHEAVE IRON	110
ABHN025-001	RING,RETAINER,25MM SHAFT	112
PKCN019-075	SCREW,S/T,#10X.75,WSHHXHD,ZN	113
39360-102	RETAINER, SENSOR	115

38596-501	LABEL,WHEEL,846	116
11415-102	COUPLER,MOD,8P8C,INLINE,SNAP-IN	122
PFKN019-100	SCREW,S/T,#10X1,PANHD,PHIL,BLK ZN	129
BPCN050-200	BOLT,HEX,1/2-13X2.00,STEEL,ZNC	130
11437-015	RES,PWR,1.5 OHMS,300W,10%,	131
KMCN050-045	NUT,HEX,1/2-13,ZINC	132
DECN019-038	SCREW,SEMS,#10-32X.375,PHIL,	133
KHCN019-013	LOCKNUT, STARWASHER, 10-32,	134
10231-121	SPR,CPRSN,.480X.1.50X.045	139
40056-101	COVER, HANDLEBARS, 846 UPRIGHT	144
CBKN019-075	SCREW, SKHD,10-32 X 0.75,BLK ZN	145
WACN050-010	WASHER,FLT,1/2X1.062X.095,ZN	149
11426-101	CONN,PWR JACK,.08"PIN,.22"BUSHING	151
WAHNN105-002	WASHER, WAVE, 1.351 OD X 1.051	157
MGCN013-025	SCREW,MCH,6-32X1/4,PANHD,PHIL,	160
43579-108	ASSY BOARD, CHR, CONTACT PRIORITY/	161
42730-101	PLUG, HHR, HANDLE BAR END	163
10115-113	O-RING, ROUND, 1.25ID X .139	164
42713-102	HHR SENSOR, TOP	165
42714-102	HHR SENSOR, BOTTOM	166
TCNN016-075	SCREW, BTHD, 8-32X.75,SS	167
47342-040	ASSY, CABLE, HHR PCA TO GRIP, W/SH	168
50993-101	ALTERNATOR BRUSH ASSY.	201
10186-103	WRENCH, ALLEN, 3/16	204
10186-107	WRENCH, ALLEN, 7/32	205
10186-108	WRENCH, ALLEN, 5/16, 3 X 3,9.3	206